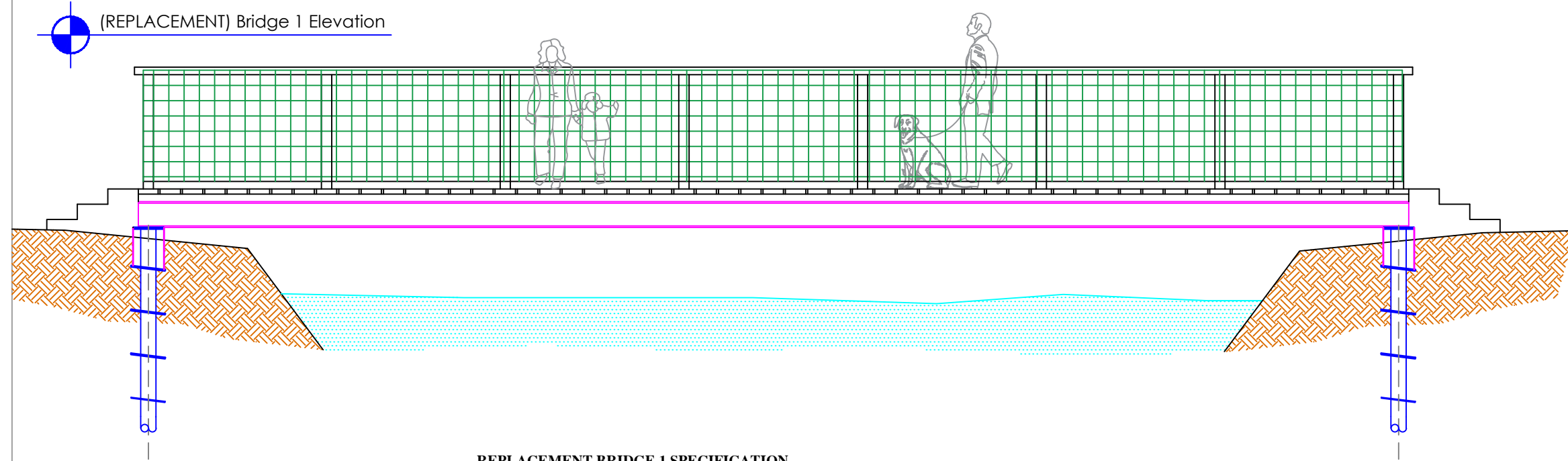


**NOTE:**

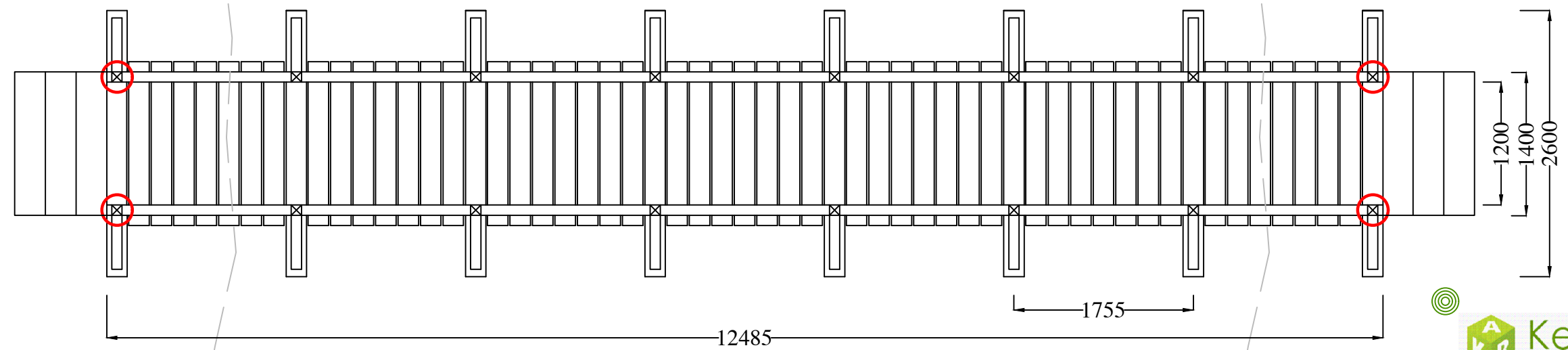
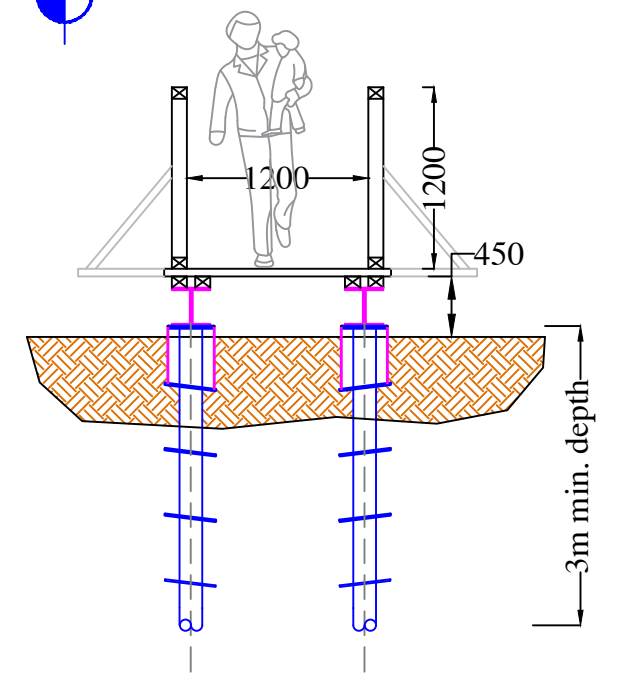
1. Work to figured dimensions only. Do not scale print.
2. Only drawings issued for Construction shall be used for construction purposes.
3. All rights reserved. No part of this publication may be reproduced, distributed, or transmitted in any form or by any means, including photocopying, recording, or other electronic or mechanical methods, without the prior written permission of the publisher.

(REPLACEMENT) Bridge 1 Elevation



**REPLACEMENT BRIDGE 1 SPECIFICATION**  
 100 x 50 mm (PREPAIRED) LARCH HARDWOOD TIMBER HAND RAILS WITH P.V.C COATED CHAINLINK FENCEING ON 100 x 100mm (PREPAIRED) LARCH HARDWOOD TIMBER POSTS AT 1755mm crs ON 100 x 75mm (PREPAIRED) LARCH HARDWOOD TIMBER SOLE PLATE ON 200 x 75mm (PREPAIRED) LARCH HARDWOOD TIMBER FLOOR PLANKS (20mm gap between planks) ON 100 x 75mm (PREPAIRED) LARCH HARDWOOD TIMBER BASE PLATE BOLTED AT 450mm crs TO 254 x 254 x 107UC S275 STEEL BEAM WHICH IS PLATED AND BOLTED (4 BOLTS) ONTO A 300mm dia CFA CONCRETE PILE OR HELICAL PILE (150kn) WITH 300mm HELIX ON A 73mm SHAFT WITH METAL SLEEVE ABOVE GROUND LEVEL. HAND RAILS TO BE SUPPORTED WITH 100 x 50mm (PREPAIRED) LARCH HARDWOOD TIMBER STRUTS AT 1600mm crs. ALL LARCH HARDWOOD TIMBER FLOOR PLANKS TO BE FITTED WITH GALVANISED U-NAIL STAPLES LOCATED THROUGHOUT FOR FOOT GRIP. ALL TIMBER TO BE STAINED / TREATED. ALL STEEL BEAMS TO BE GALVANISED. LARCH HARDWOOD TIMBER STEPS AND HANRAILS TO BE FORMED FROM THE FOOT BRIDGE DOWN TO FINISHED GROUND LEVEL, WHERE REQUIRED.

(REPLACEMENT) Bridge 1 Cross Section



(REPLACEMENT) Bridge 1 Plan

**Kenneally, Rochford & Associates Ltd**  
 Chartered Engineers, Architectural and Planning Consultants. Fully Insured & Registered

<b>PROPOSED DEVELOPMENT AT GLENBOWER WOODS, KILLEAGH, CO.CORK.</b> Project:	Main St., Killeagh, Co. Cork Tel. 024 - 95857, Fax: 024 - 95856 Mobile: 087 - 8843739 email: info@kenneallyrochford.com web: www.kenneallyrochford.com	
	<b>PROPOSED BRIDGE 1 DETAILS</b> Title:	Date: April 2021 Dwg No.: 2127 - T.5

ISSUED FOR TENDER PURPOSES ONLY